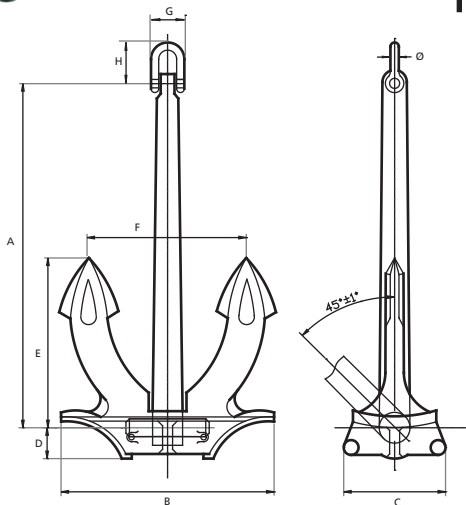




STOCKLESS ANCHOR

**HALL**

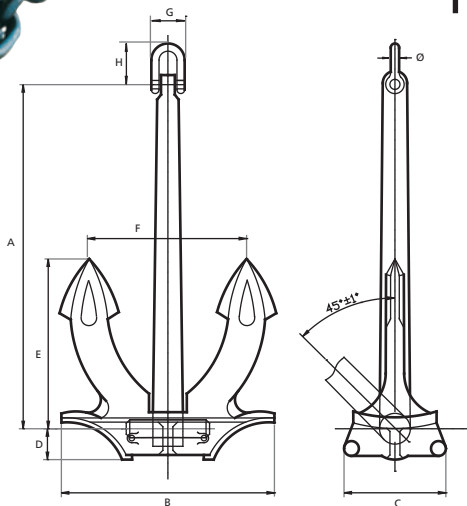
Weight	A	B	C	D	E	F	G	H	Ø
Kgs	mm	mm	mm	mm	mm	mm	mm	mm	mm
10	385	270	125	42	191	191	51	60	15
16	410	316	146	49	223	223	57	72	16
25	476	367	169	57	259	259	74	84	20
35	533	411	189	64	290	290	80	98	22
50	599	464	214	71	325	325	80	98	22
65	658	505	233	78	355	355	88	115	24
75	690	530	244	82	374	374	88	115	24
100	760	582	270	90	410	410	88	115	24
125	814	629	290	97	443	443	100	130	28
150	866	670	308	103	470	470	100	130	28
180	952	735	339	114	518	518	113	145	32
240	1019	784	361	121	552	552	125	160	36
300	1095	844	388	130	595	595	139	175	40
360	1160	898	412	138	630	630	139	175	40
420	1255	967	444	149	675	675	152	192	45
480	1300	1000	460	154	700	700	167	215	48
570	1380	1060	490	164	745	745	167	215	48
660	1422	1096	506	169	769	769	175	235	50
780	1506	1160	535	178	813	813	175	235	50
900	1580	1220	560	188	855	855	183	255	50

Note: The measurements in tables may vary between different models. Sotra Anchor & Chain AS can not be hold responsible for any deviate between tables and delivered equipment.



STOCKLESS ANCHOR

# HALL

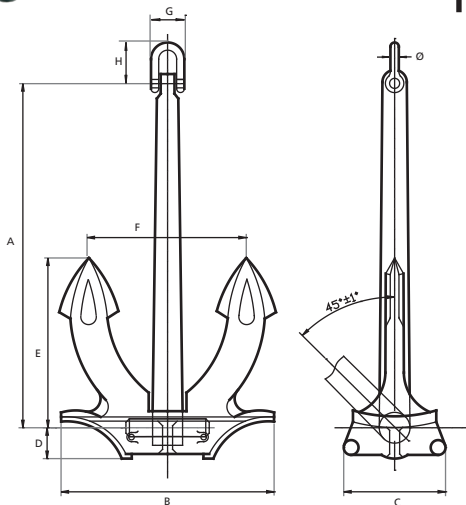


Weight Kgs	A mm	B mm	C mm	D mm	E mm	F mm	G mm	H mm	Ø mm
1020	1645	1268	584	195	891	891	183	255	50
1140	1705	1319	605	203	926	926	-	-	-
1290	1778	1374	630	211	965	965	216	280	62
1440	1844	1430	655	219	1001	1001	-	-	-
1590	1906	1475	677	226	1035	1035	-	-	-
1740	1966	1517	698	234	1068	1068	238	310	68
1920	2031	1568	722	241	1104	1104	-	-	-
2100	2093	1614	743	249	1136	1136	-	-	-
2280	2150	1657	763	255	1165	1165	260	340	74
2460	2207	1700	784	262	1194	1194	260	340	74
2640	2259	1730	796	265	1222	1222	-	-	-
2850	2318	1787	822	275	1253	1253	-	-	-
3060	2374	1832	841	282	1283	1283	-	-	-
3300	2432	1880	862	288	1317	1317	-	-	-
3540	2490	1926	883	295	1349	1349	287	380	82
3780	2457	1965	902	302	1376	1376	-	-	-
4050	2610	2008	924	309	1406	1406	-	-	-
4320	2661	2051	943	316	1435	1435	-	-	-
4590	2712	2093	962	322	1465	1465	-	-	-
4890	2769	2135	984	329	1498	1498	346	415	100
5250	2836	2185	1008	337	1535	1535	-	-	-
5610	2899	2234	1031	345	1569	1569	-	-	-

Note: The measurements in tables may vary between different models. Sotra Anchor & Chain AS can not be hold responsible for any deviate between tables and delivered equipment.



STOCKLESS ANCHOR

**HALL**

Weight Kgs	A mm	B mm	C mm	D mm	E mm	F mm	G mm	H mm	Ø mm
<b>6000</b>	2965	2284	1054	352	1605	1605	350	450	100
<b>6450</b>	3037	2340	1080	361	1644	1644	-	-	-
<b>6900</b>	3100	2393	1105	369	1681	1681	370	480	110
<b>7350</b>	3173	2444	1129	377	1717	1717	-	-	-
<b>7800</b>	3235	2493	1152	385	1752	1752	380	500	110
<b>8300</b>	3303	2545	1176	393	1788	1788	-	-	-
<b>8700</b>	335	2585	1195	399	1816	1816	-	-	-
<b>9300</b>	3430	2643	122	408	1857	1857	-	-	-
<b>9900</b>	3502	2699	1248	417	1896	1896	421	580	124
<b>10500</b>	3571	2752	1273	425	1934	1934	-	-	-
<b>11100</b>	3638	2803	1297	433	1970	1970	437	600	130
<b>11700</b>	3702	2853	1320	441	2005	2005	-	-	-
<b>12300</b>	3764	2901	1342	448	2039	2039	-	-	-
<b>12900</b>	3824	2947	1363	455	2072	2072	-	-	-
<b>13500</b>	3882	2992	1384	462	2104	2104	-	-	-
<b>14100</b>	3939	3036	1404	469	2135	2135	-	-	-
<b>14700</b>	3994	3078	1424	476	2165	2165	-	-	-
<b>15400</b>	4056	3126	1446	483	2199	2199	498	680	150
<b>16100</b>	4117	3173	1468	490	2232	2232	498	680	150

Note: The measurements in tables may vary between different models. Sotra Anchor & Chain AS can not be hold responsible for any deviate between tables and delivered equipment.