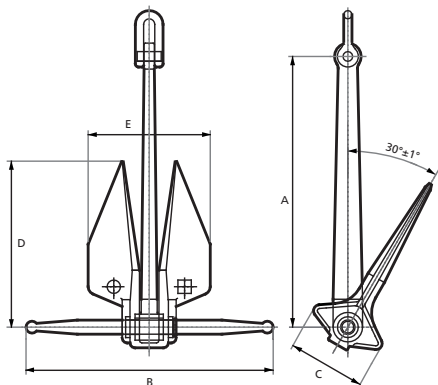




OFFSHORE ANCHOR

DANFORTH



Weight	A	B	C	D	E
Kgs	mm	mm	mm	mm	mm
135	1350	1130	275	820	560
225	1600	1340	325	975	665
340	1720	1480	370	1000	720
455	1830	1580	410	1100	760
680	1955	1690	475	1180	815
910	2100	1820	525	1275	900
1135	2260	2140	560	1350	930
1360	2390	2260	595	1440	990
1820	2640	2550	660	1590	1050
2270	2780	2700	710	1650	1170
2730	2960	2810	750	1780	1200
3180	3120	2960	790	1880	1260
3635	3260	3090	825	1960	1320
4080	3380	3210	860	2040	1370
4540	3510	3330	890	2100	1420
5545	3730	3540	945	2240	1510
6350	3920	3720	995	2360	1590
7260	4100	4000	1040	2470	1660
8165	4270	4080	1080	2560	1730
9075	4570	4150	1110	2620	1770
11345	4710	4470	1195	2820	1910
13610	5000	4750	1270	3000	2025

Note: The measurements in tables may vary between different models. Sotra Anchor & Chain AS can not be hold responsible for any deviate between tables and delivered equipment.