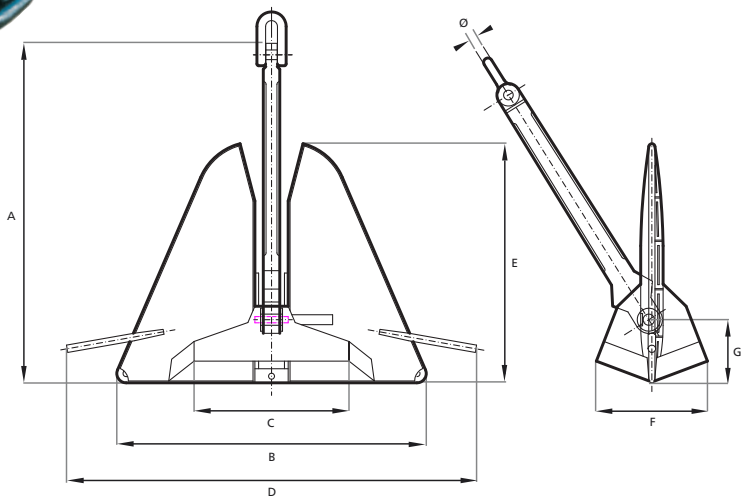




OFFSHORE ANCHOR

# STEVIN

MK3



Weight	A	B	C	D	E	F	G	Ø
Kgs	mm	mm	mm	mm	mm	mm	mm	mm
1000	2429	2023	1010	2654	1559	737	412	60
1500	2774	2316	1156	3038	1785	843	471	65
3000	3493	2918	1456	3828	2249	1063	594	80
5000	4120	3460	1727	4538	2667	1260	704	80
7000	4602	3871	1932	5077	2983	1409	788	90
9000	5012	4209	2100	5521	3244	1533	857	100
12000	5516	4632	2312	6076	3570	1687	943	110
15000	5942	4990	2490	6545	3846	1817	1016	120
20000	6372	5324	2674	6986	4100	2048	1083	160
30000	7289	6094	3061	7997	4694	2345	1240	180

Note: The measurements in tables may vary between different models. Sotra Anchor & Chain AS can not be hold responsible for any deviate between tables and delivered equipment.